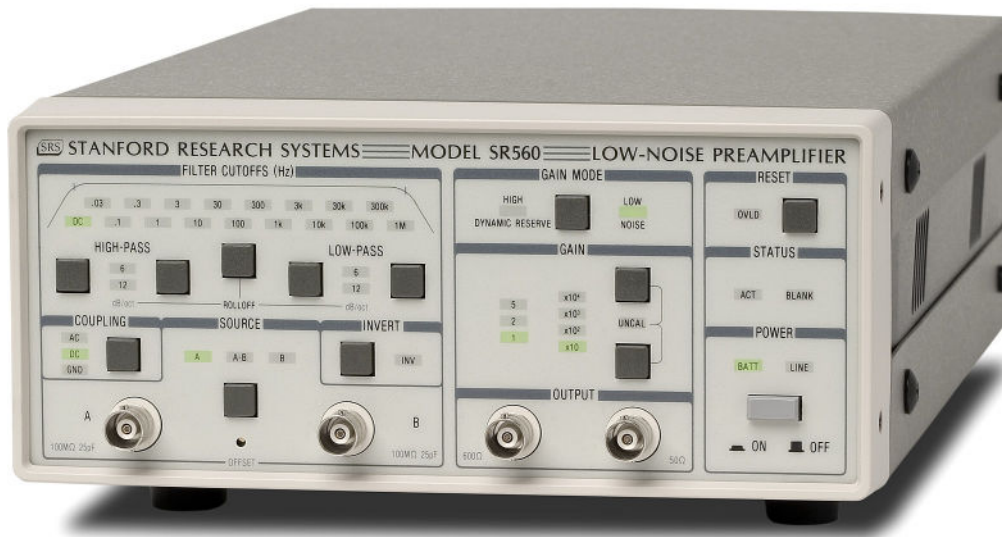


# Low-Noise Voltage Preamplifier

SR560 — DC to 1 MHz voltage preamplifier



## SR560 Low-Noise Preamplifier

- **4 nV/ $\sqrt{\text{Hz}}$  input noise**
- **1 MHz bandwidth**
- **Variable gain from 1 to 50,000**
- **AC or DC coupled**
- **Two configurable signal filters**
- **Differential and single-ended inputs**
- **Line or battery operation**
- **RS-232 interface**

The SR560 is a high-performance, low-noise preamplifier that is ideal for a wide range of applications including low temperature measurements, optical detection, and audio engineering.

### Inputs

The SR560 has a differential front-end with 4 nV/ $\sqrt{\text{Hz}}$  input noise and an input impedance of 100 M $\Omega$ . Complete noise figure contours are shown in the SR560 Tech Note at the end of this section. The SR560's inputs are fully floating (BNC shields are not connected to chassis ground). Both the amplifier ground and the chassis ground are available on the rear panel for flexibility in grounding the instrument. Input offset nulling is accomplished by a front-panel potentiometer, accessible with a small screwdriver.

In addition to the signal inputs, a rear-panel TTL blanking input lets you quickly turn off and on the instrument's gain. This is useful in preventing front-end overloading. The gain turns off 5  $\mu\text{s}$  after the TTL level goes high, and back on again within 10  $\mu\text{s}$  after the TTL signal goes low.

### Outputs

Two insulated output BNC connectors provide 600  $\Omega$  and 50  $\Omega$  outputs. Both are capable of driving 10 V<sub>pp</sub> into their respective loads. Two rear-panel power supply outputs

provide up to 200 mA of  $\pm 12$  VDC referenced to the amplifier ground. The outputs provide clean DC power for use as a bias source.

## Gain

Gain is selectable from 1 to 50,000 in a 1-2-5 sequence. An adjustable gain feature lets you specify the gain as a percentage of any of the fixed gain settings with 0.5 % resolution. Gain can be selectively allocated before the filters to optimize noise performance, or after the filters to reduce susceptibility to overloads.

## Filters

The SR560 contains two first-order RC filters whose cutoff frequency and type (HPF or LPF) can be configured from the front panel. Together, the filters can be configured as a 6 or 12 dB/oct rolloff low-pass or high-pass filter, or as a 6 dB/oct rolloff band-pass filter. A filter reset button is included to shorten the overload recovery time of the instrument when long filter time constants are being used. Filter cutoff frequencies can be set in a 1-3-10 sequence from 0.03 Hz to 1 MHz.

## Battery Operation

Three rechargeable lead-acid batteries provide up to 15 hours of battery powered operation. An internal battery charger

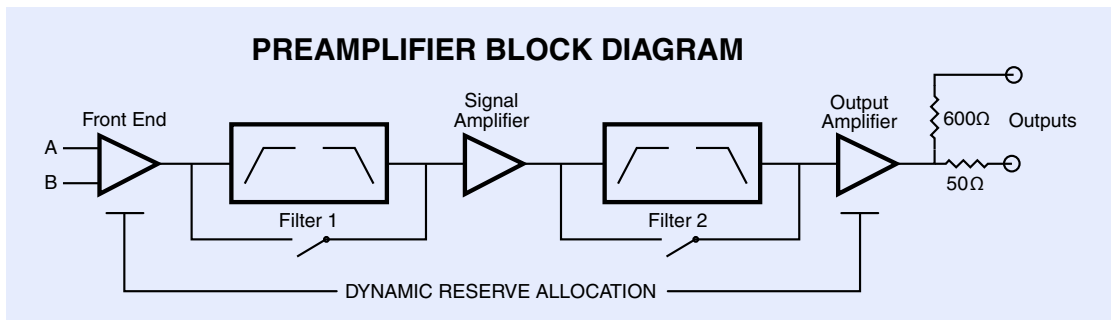
automatically charges the batteries when the unit is connected to the line. The charger senses the battery state and adjusts the charging rate accordingly. Two rear-panel LEDs indicate the charge state of the batteries. When the batteries become discharged, they are automatically disconnected from the amplifier circuit to avoid battery damage.

## No Digital Noise

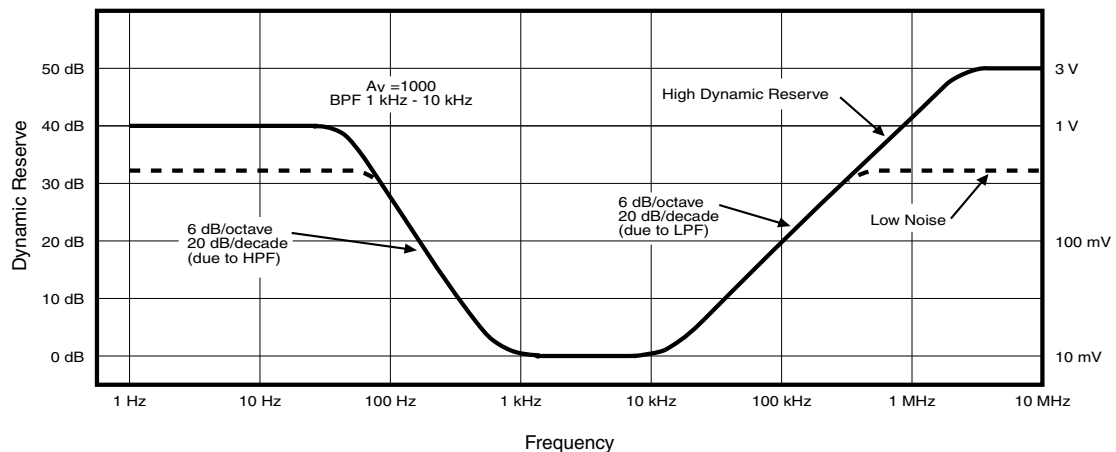
The microprocessor that runs the SR560 is “asleep” except during the brief interval it takes to change the instrument’s setup. This ensures that no digital noise will contaminate low-level analog signals.

## RS-232 Interface

The RS-232 interface allows listen-only communication with the SR560 at 9600 baud. Up to four SR560s can be controlled from a single computer, with each SR560 being assigned a unique address. A “Listen” command specifies which SR560 will respond to commands on the RS-232 line. All functions of the instrument (except power on) can be set via the RS-232 interface. The RS-232 interface is opto-isolated from the amplifier circuitry to provide maximum noise immunity.



*Dynamic reserve vs. frequency*



## SR560 Specifications

### Input

Inputs	AC or DC coupled, single-ended or differential
Input impedance	100 M $\Omega$ + 25 pF
Maximum input CMRR	3 Vpp 100 dB from DC to 1 kHz (100 mV common mode input at 1 kHz, gain of 100, low noise mode. Decreases by 6 dB/octave from 1 kHz to 1 MHz)
Noise	4 nV/ $\sqrt{\text{Hz}}$ at 1 kHz
Gain	1 to 50,000 in 1-2-5 sequence Vernier gain in 0.5% steps
Gain stability	200 ppm/ $^{\circ}\text{C}$
Bandwidth	-3 dB at 1.2 MHz (typ.)
Flatness	$\pm 0.3$ dB to 300 kHz (gains up to 1000)

### Filters

Signal filters	2 configurable (low-pass or high-pass) 6 dB/oct rolloff filters. -3 dB points are settable in a 1-3-10 sequence from 0.03 Hz to 1 MHz.
Gain allocation	High Dynamic Reserve — Gain is increased after the signal filters to prevent overloading. Low Noise — Gain is increased before the filters to improve noise figure.

### Output

Maximum output	10 Vpp into 50 $\Omega$ and 600 $\Omega$
Filter reset	Long time constant filters may be reset with front-panel button.
DC drift	5 $\mu\text{V}/^{\circ}\text{C}$ referred to input (DC coupled)

### Ordering Information

SR560	Low-noise voltage preamplifier
O560RMD	Double rack mount kit
O560RMS	Single rack mount kit
O560SB	Spare battery set (3 batteries)



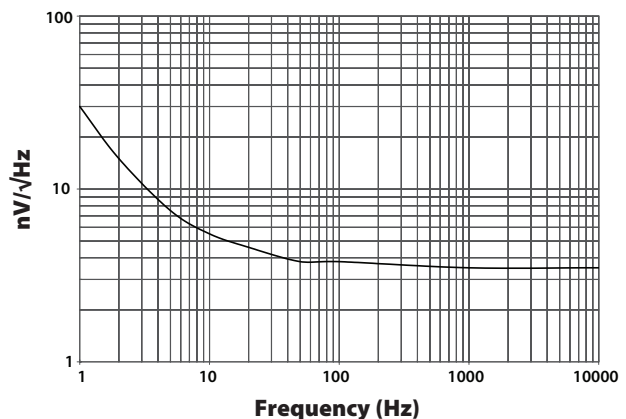
SR560 rear panel

Distortion	0.01% at 1 kHz
Rear panel	$\pm 12$ VDC @ 200 mA referenced to amplifier ground

### General

External gating	TTL input sets gain to zero
Interfaces	RS-232, 9600 baud, receive only
Power	100/120/220/240 VAC, 6 W charged, 30 W while charging. Internal batteries provide 15 hours of operation between charges. Batteries are charged while connected to the line.
Dimensions	8.3" $\times$ 3.5" $\times$ 13.0" (WHD)
Weight	15 lbs. (batteries installed)
Warranty	One year parts and labor on defects in materials and workmanship

### Short Circuit Input Noise Voltage



### SR560 Noise Figure

