

# ULTRA-HIGH PERFORMANCE GYRO MODULE



STIM210

PRODUCT BRIEF

- Small size, low weight and low cost
- ITAR free
- Insensitive to magnetic fields
- 10 °/h bias error over temperature gradients
- 0.3 °/h bias instability
- 0.15 °/√h angular random walk
- ±400 °/s angular rate input range
- 2000 samples per second
- 1500 g shock capability



(39 mm x 45 mm x 22 mm)

STIM210 is a multi-axis gyro module with up to 3 axes of highly accurate MEMS gyros. Each axis is factory calibrated for bias and sensitivity, and compensated for temperature effects. This new design of the STIM200-series allows for improved bias error over temperature gradients (10 °/h) and improved non-linearity (25 ppm over FS). STIM210 industrialization is realized by combining the well proven Sensoror ButterflyGyro™ technology with full digital operation.

## Input range, orthogonality and output formats

The STIM210 full-scale angular rate input range is 400 °/s and the output is capped at ±480 °/s. 3-axis modules feature electronic axis alignment, improving orthogonality between axis (down to 1 mrad). Selectable output formats are angular rate, increment angle, average angular rate and integrated angle, at sample rates up to 2000 samples per second.

## Reliability and robustness

STIM210 (three axes) modules have an MTBF at 70k operating hours (according

to MIL-HDBK 217), which is outperforming current FOG systems. Tuning of excitation and detection frequencies, as well as perfectly balanced vibrational masses, result in very low vibration and shock sensitivity in any direction.

## Power and interface

The unit is powered by a single 5 V supply and communicates via a Plug-and-Play high-level RS422 interface at bit rates up to 3.75 Mbits/s.

## Device configurations and self diagnostics

The use of a 32-bit RISC ARM microcontroller provides flexibility in device configuration. Choices for output unit, sample rate, LP filter cut-off frequency, RS422 transmission bit rate, line termination ON/OFF, etc. can be done in device Service Mode. The Service Mode also provides the ability to perform single measurements on demand and access detailed diagnostics information.

## Evaluation kits

STIM210 evaluation kits for PCI and USB

connectivity are available. The PCI kit is the recommended choice for thorough characterization. The USB kit is the alternative solution, e.g. for smaller, portable laptop setups, providing an excellent choice for quick gyro module configurations and shorter measurement series.

## Application areas

STIM210 applications are typically found within Industrial, Aerospace and Defense markets, for various platform stabilizations, pointing and navigation systems (e.g. antennas, cameras and gimbals), attitude heading reference systems (AHRSS), inertial navigation systems (INSs) for UAVs, AUVs, AGVs, UGVs and ROVs, smart munitions, 3D mapping systems, range finders, trains, robotics and more.

For many applications STIM210 directly replaces FOGs and improves system solutions with respect to robustness, reliability, size, weight, power and cost. STIM210 can also open new markets, where adequate solutions previously have not yet been possible to realize.

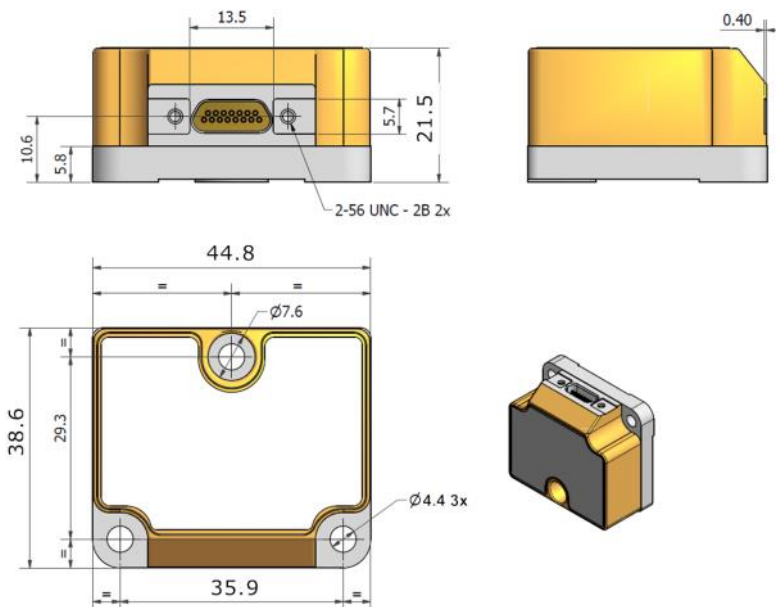
SPECIFICATIONS

Parameter	Min	Nom	Max	Unit
Weight		52		g
Input range		±400 <sup>1)</sup>		°/s
Resolution		24		bits
Operating temperature	-40		85	°C
Storage temperature	-50		90	°C
Power supply	4.5	5.0	5.5	V
Power consumption		1.3	1.5	W
Start-up time			1	s
Sample rate			2000	SPS
Mechanical shock			1500	g
Bias instability		0.3		°/h
Angular random walk		0.15		°/√h
Bias error over temperature gradients		±10		°/h rms
Bandwidth (-3dB)		262		Hz
Group delay		1.6		ms
Non-linearity (condition: ±200 °/s)		15		ppm
Scale factor accuracy		500		ppm
RS422 bit rate			3.75	Mbits/s
Linear acceleration effect				
Bias		7		°/h/g
Scale factor		400		ppm/g
Logic levels NRST, EXT TRIGGER and TOV pins	CMOS and TTL compatible			

1) Optional ranges are available

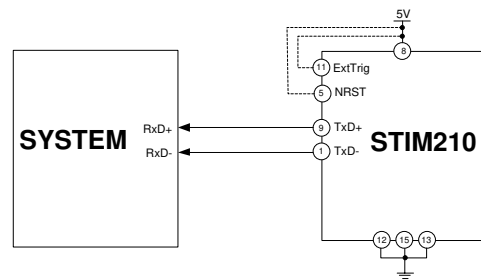
MECHANICAL DIMENSIONS

All dimensions in mm.

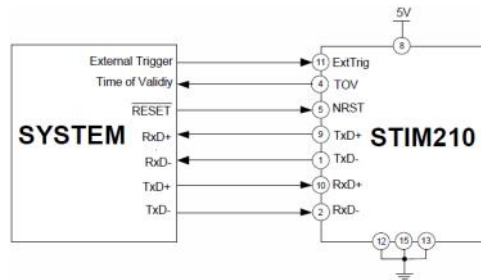


Volume < 2,0 cu. in (33 cm<sup>3</sup>)

ELECTRICAL CONNECTIONS

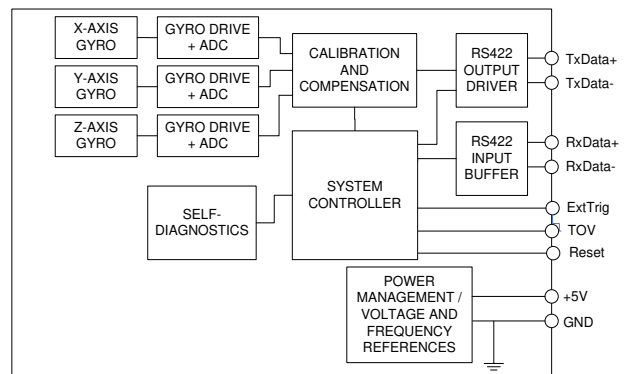


(TRANSMIT ONLY)

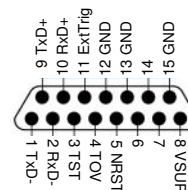


(FULL FUNCTION)

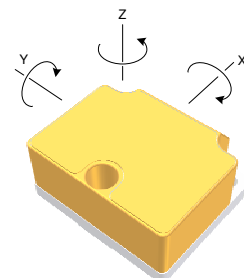
FUNCTIONAL BLOCK DIAGRAM



PIN OUT



AXIS DEFINITIONS



Information furnished by Sensoror is believed to be accurate and reliable. However, no responsibility is assumed by Sensoror for its use, nor for any infringements of patents or other rights of third parties that may result from its use. Sensoror reserves the right to make changes without further notice to any products herein. Sensoror makes no warranty, representation or guarantee regarding the suitability of its products for any particular purpose, nor does Sensoror assume any liability arising out of the application or use of any product or circuit, and specifically disclaims any and all liability, including without limitation consequential or incidental damages. No license is granted by implication or otherwise under any patent or patent rights of Sensoror. Trademarks and registered trademarks are the property of their respective owners. Sensoror products are not intended for any application in which the failure of the Sensoror product could create a situation where personal injury or death may occur. Should Buyer purchase or use Sensoror products for any such unintended or unauthorized application, Buyer shall indemnify and hold Sensoror and its officers, employees, subsidiaries, affiliates, and distributors harmless against all claims, costs, damages, and expenses, and reasonable legal fees arising out of, directly or indirectly, any claim of personal injury or death associated with such unintended or unauthorized use, even if such claim alleges that Sensoror was negligent regarding the design or manufacture of the part.