

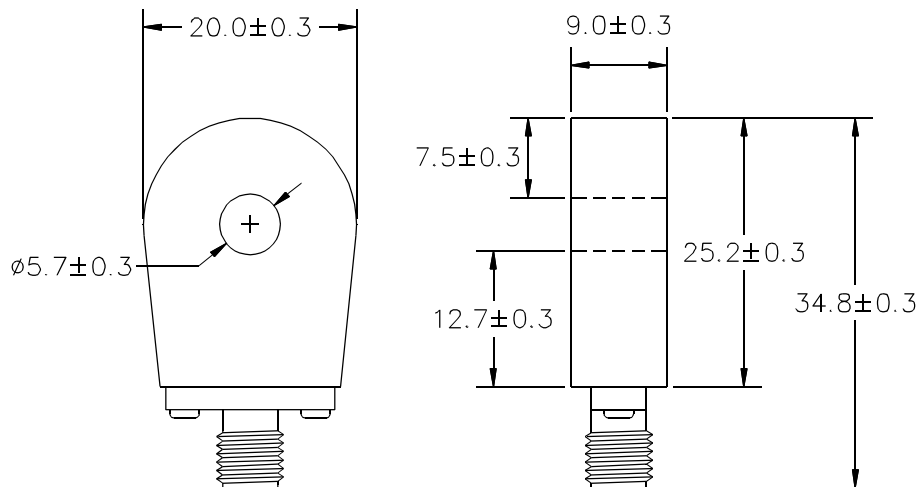
PEARSON™
CURRENT
MONITOR
MODEL
7713-03



Sensitivity	1 V/A \pm 1 %
Output resistance	50 Ohm
Maximum peak current	100 A
Maximum rms current	2 A
Drop rate	0.4 %/ μ s
Useable rise time	1.5 ns
Current time product	0.2 mA s maximum*
Low frequency 3dB point	500 Hz (approximate)
High frequency 3dB point	250 MHz (approximate)
I/f figure	1 mA/Hz rms
Output connector	SMA
Operating temperature	0 to 65 °C
Weight	16 gm

* Maximum current-time product can be obtained by using core-reset bias as described in the *Application Notes*. 0.12 mAmpere-second is typical without bias.

© 2010 Pearson Electronics, Inc. 7713-03.wpd 101201



Dimensions in mm