

# Attenuator, SMA

Frequency Range: DC to 18.0 GHz, Power: 2 Watts



## Technical Specifications

Parameter`	Value
Frequency Range	DC to 18.0 GHz
Standard dB Values	0, 3, 6, 10 & 20dB
Attenuation	0dB _____ +0/-0.4dB 3 & 6dB _____ ±0.3dB 10 & 20dB _____ ±0.5dB
Input Power	2 Watts Avg. @ 25°C
VSWR (Max)	DC – 4 GHz _____ 1.15:1 4 – 12.4 GHz _____ 1.25:1 12.4 – 18 GHz (1-20dB) __ 1.35:1 12.4 – 18 GHz (0dB only) _ 1.45:1
Impedance	50 Ohms
Operating Temp. Range	4°mK to +125°C

## Material

Feature	Material
*SMA Connectors	White Bronze Plated Brass
Conductors	Gold Plated Beryllium Copper
Substrate	Beryllium Oxide
Resistor Material	Proprietary Thin Film

\*Mates with MIL-STD-348

## How to Order

**9102-XX-CRYO**

Basic Model #      dB Value

## Ordering Examples

Model Number: 9102-03-CRYO  
 DC-18 GHz, 3dB, Male/Female

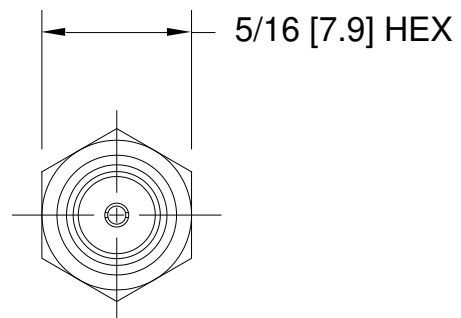
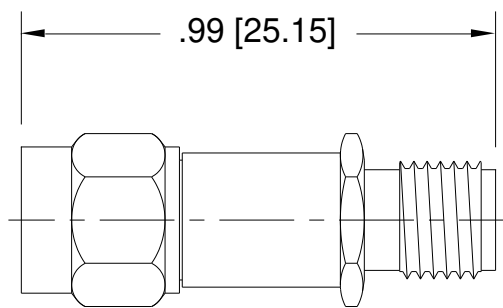
Model Number: 9102-10-CRYO  
 DC-18 GHz, 10dB, Male/Female

## Performance Characteristics

## Physical Dimensions

Model Number: 9102-03-CRYO shown

Tolerance: .XXX" -  $\pm 0.010$ "



Note: Dimensions in Brackets [ ] are expressed in Millimeters and are for reference only

Revision History			
Letter	Description	Date	DCN #
00	Quote Drawing	6/3/20	17-00428

Department	Initials	Date
Drawn/Checked	AB	6/3/20
Engineering		
Manufacturing		
Quality		
Marketing		

# Model 9102-XX-CRYO